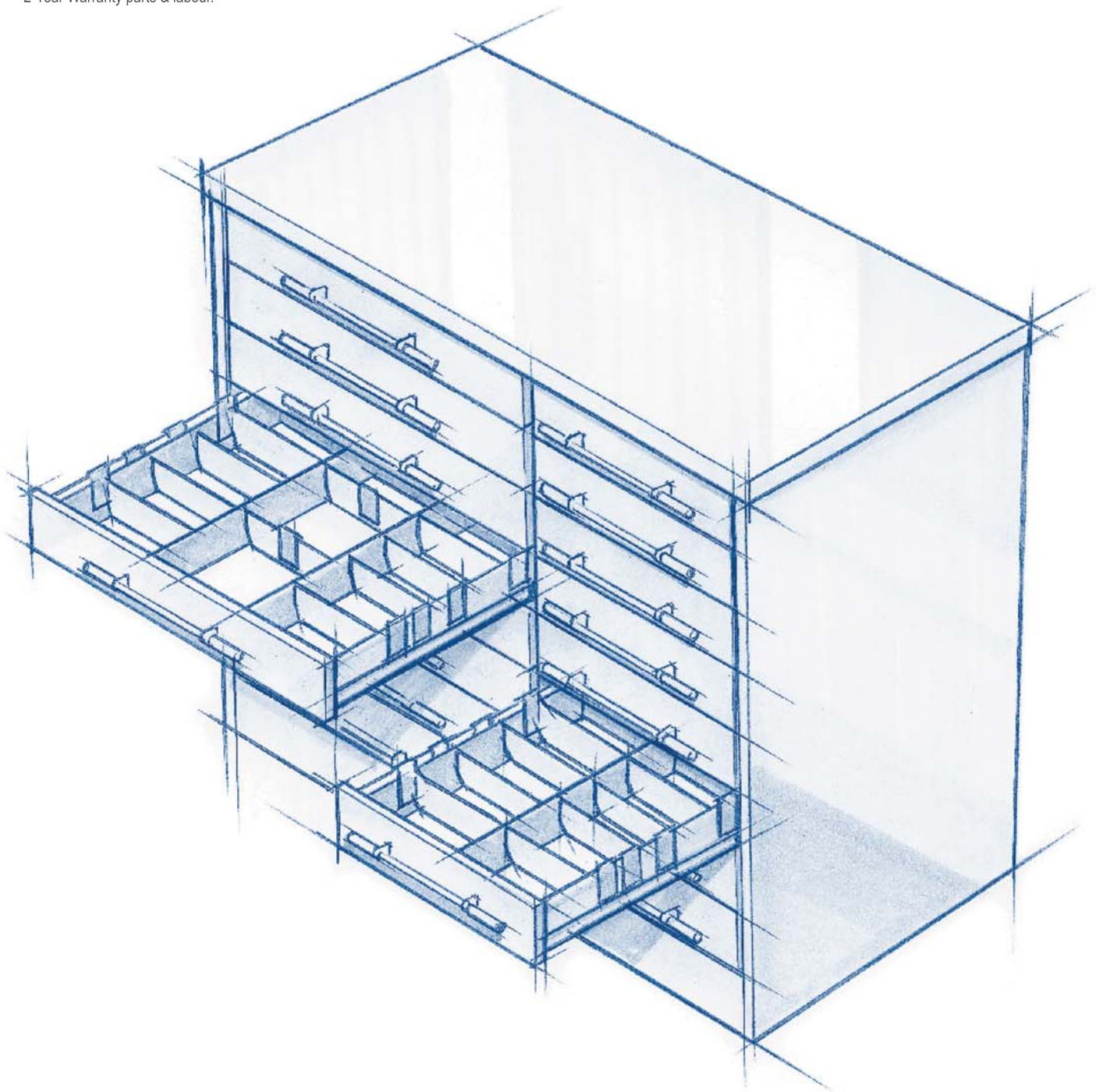


Shallow Depth Medical Drawers

FPDGROUP ^{Ltd}

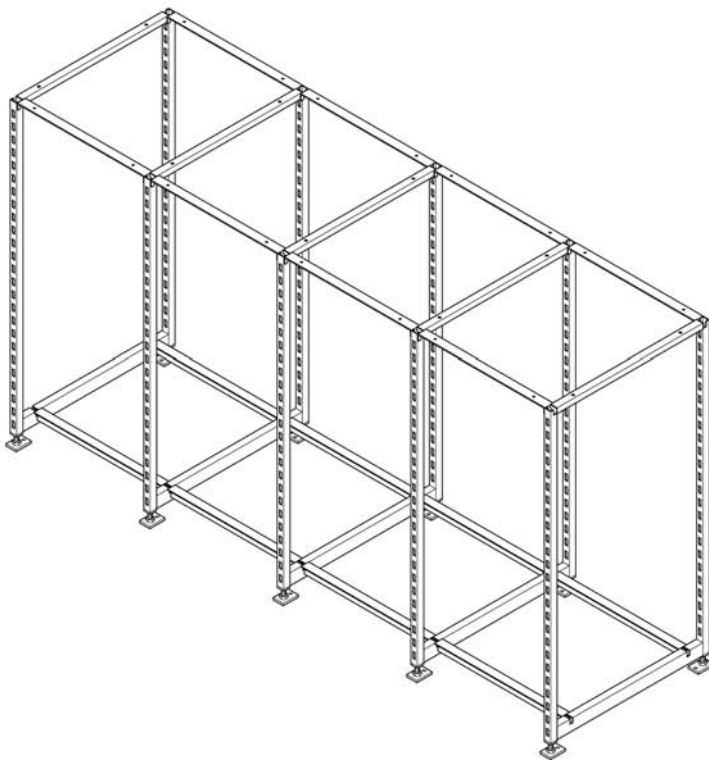
Modern pharmaceuticals need to be stored at exact temperatures. The pharmacy refrigerators have been designed to maintain an internal air temperature between +2°C and +8°C with an audio/visual alarm system that activates upon higher or lower temperatures. They are fully lockable to prevent unauthorised access and to ensure that all medication remains secure. To give you peace of mind in your decision by choosing Shoreline Pharmacy Refrigerators, this new range has been Independently Tested (UKAS Certified) to comply with World Health Organisation performance criteria for vaccine refrigerators (E3/PROC/3/2), not forgetting our 2-Year Warranty parts & labour.



Strong Durable Metal Framework

Standard shallow roller drawers frames featuring two centre to centre bay lengths: 417mm and 601.5mm

Frame Heights are determined by the amount of drawers required plus plinth and levelling adjustment.



Sample above shows a four bay framework available

i

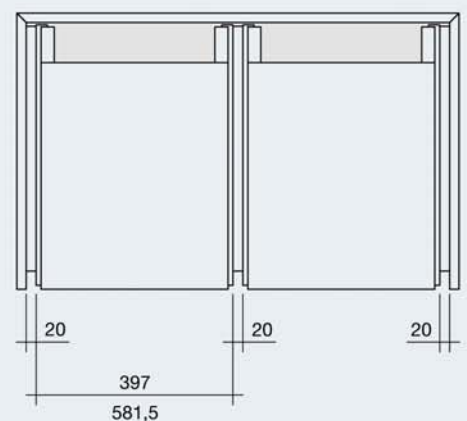
Two Shallow Drawer Depths:
450mm usable drawer depth suits a standard 600mm laminated worksurface.
350mm usable drawer depth suits a 500mm overall depth for room areas with space restrictions

Please ask our sales team for more information on our Deep Drawer range
Usable depth of drawer sizes: 750mm, 1000mm and 1100mm

The metalwork is supplied as a press-in construction kit, consisting of a range of side frames heights, T- and flat brace bars and roller drawers with removable hook-in runners.

Metal framework requires a cladding panelling kit supplied by your local joinery workshop/ main contractor. If preferred FPD Group Ltd will arrange production

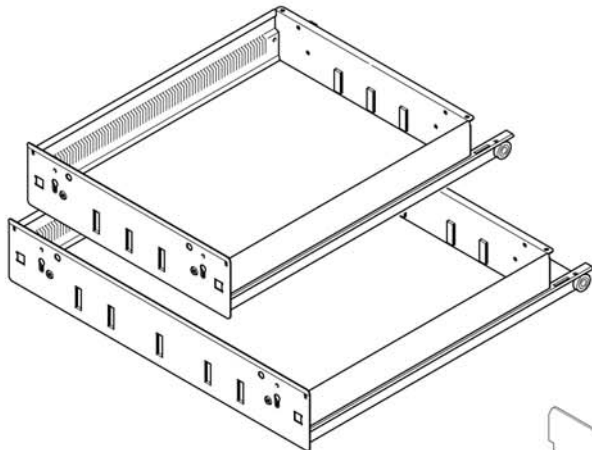
Cladding Kit: Colour Finishes - Please contact our sales team



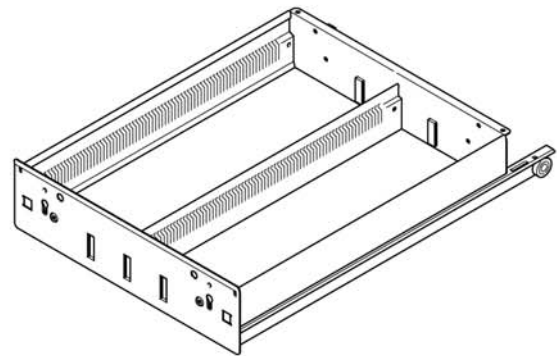
Shallow Depth Medical Drawers



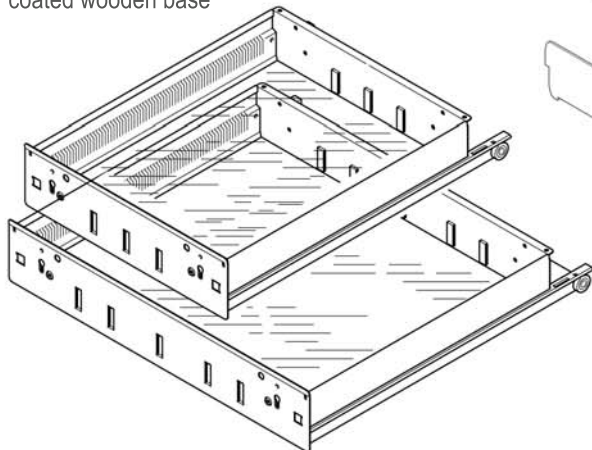
Ultra Smooth Roller Drawers



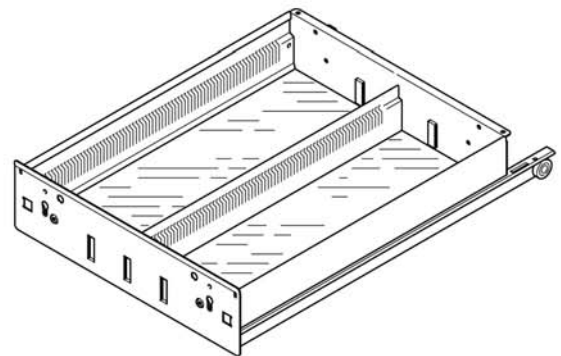
Metal powder coated drawer with plastic coated wooden base



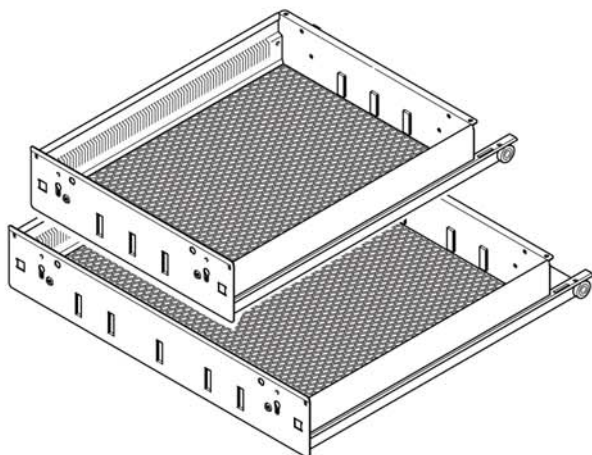
Accessories include: Cross dividers, with or without label holder and Side of drawer label holders



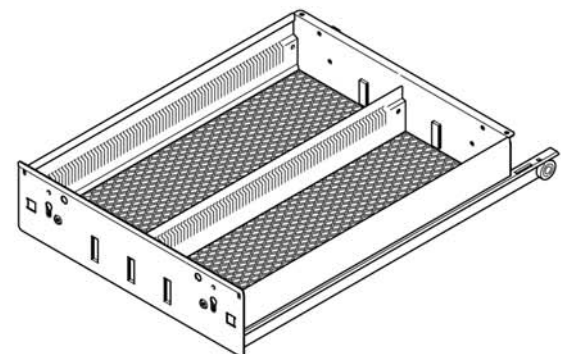
Metal powder coated drawer with acrylic glass base



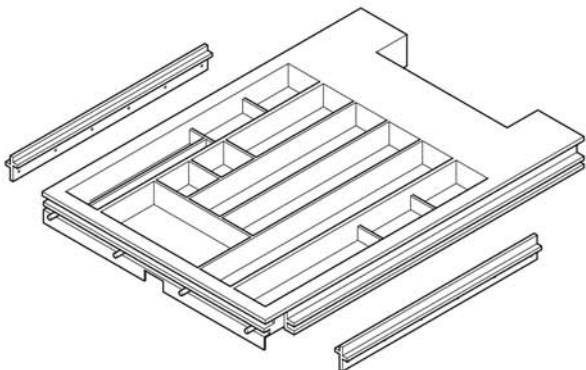
417mm medicine pack drawers supplied with one central divider
601.5mm drawers supplied with two front to back dividers
Please ask our sales team for more information



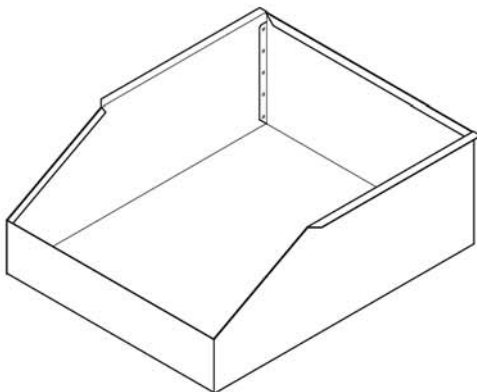
Metal powder coated drawer with premium mesh drawer base to view pack descriptions for drawers placed above eye level and/or for easy cleaning.



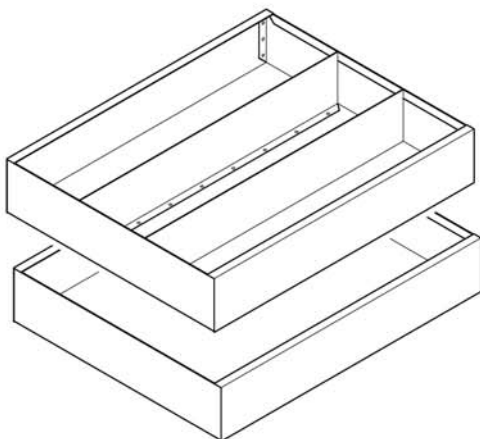
Drawer Organisation Components



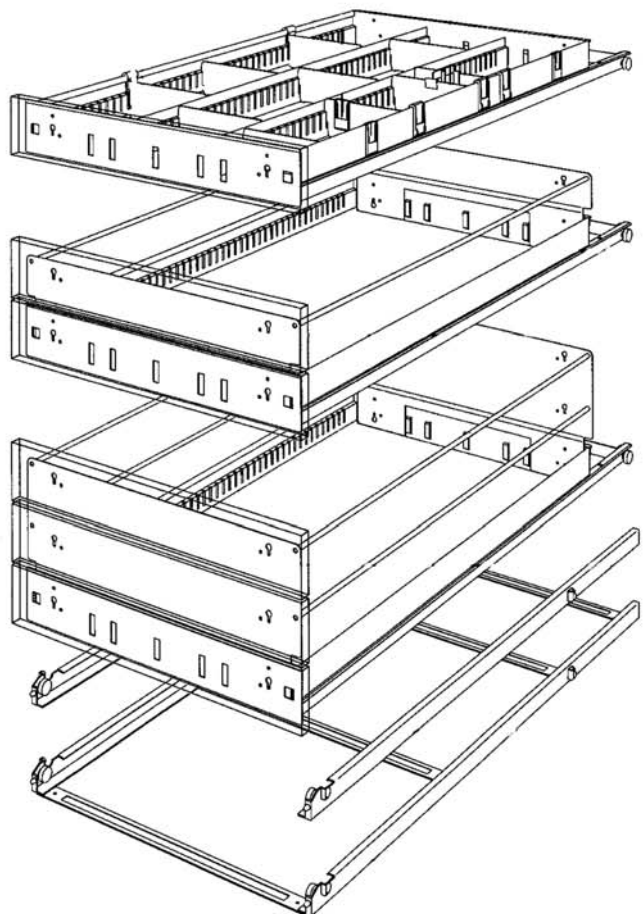
Metal powder coated drawer with plastic coated wooden base



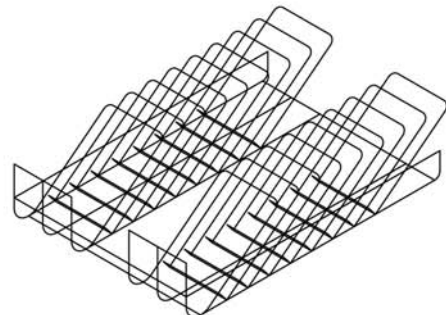
Waste Insert Stainless Steel



Spatula Insert Stainless Steel



Standard metal drawer front height 125mm
Double metal drawer front height 250mm



Document Tray